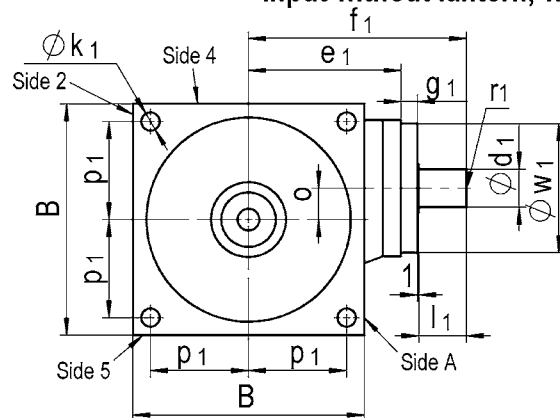
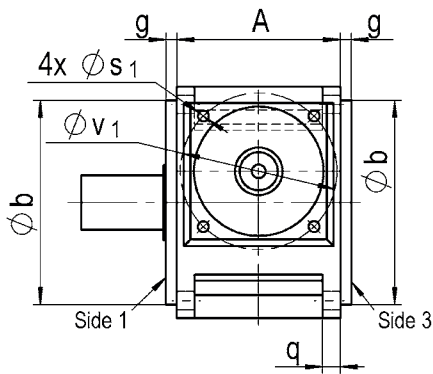
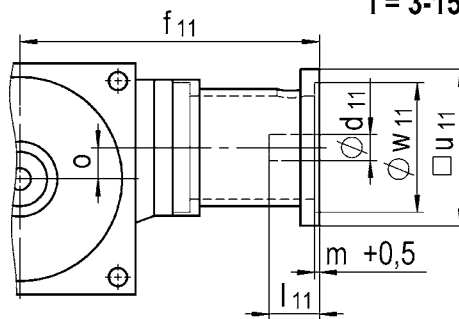
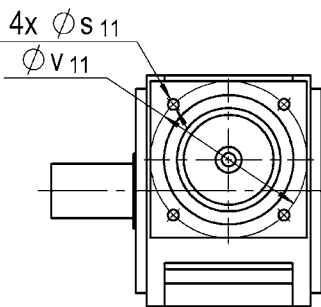


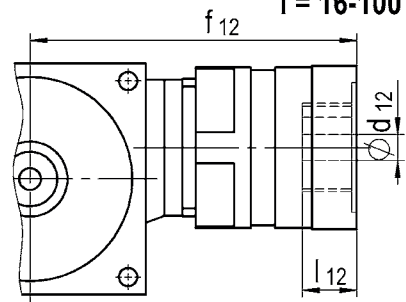
Input without lantern, without coupling



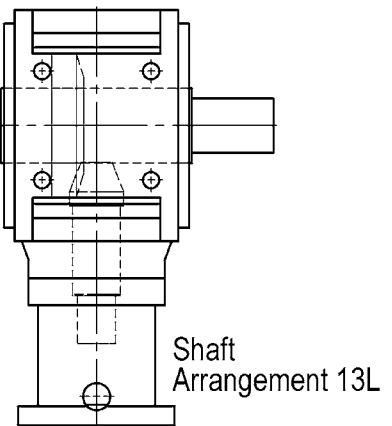
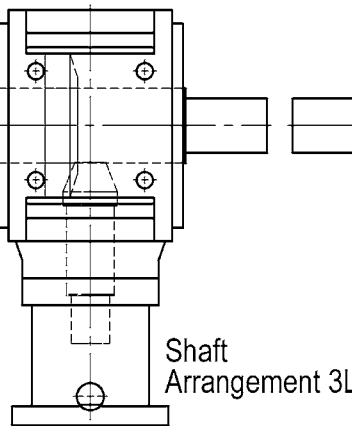
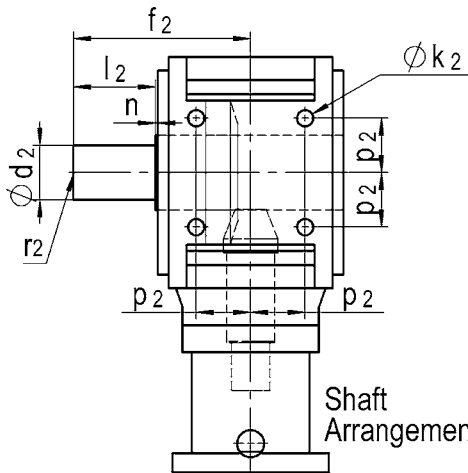
Input with lantern and coupling i = 3-15



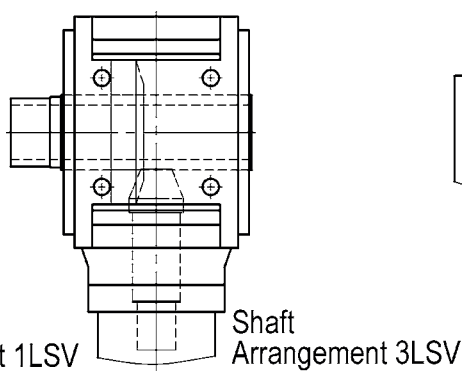
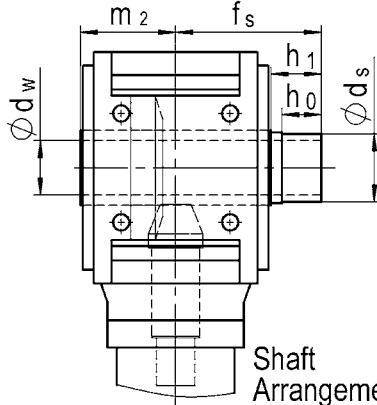
Input with planetary pre-stage i = 16-100



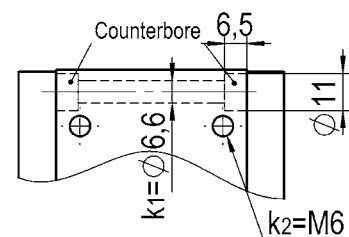
Output with solid shaft



Output with hollow shaft



Fasting bores size D37




Size	A	B	Ø b _{g6}	g	o	p ₁	p ₂	Ø k ₁	k ₂	q
D37	56	75	74	11	7.5	31	21	6.6	M6	-
D55	60	90	89	13.5	9	39	22	6.6	M6	8
D75	80	115	105	8.5	14	49	27	9	M8	10
D90	100	140	125	8	18	59	33	11	M10	11
D115	120	170	150	8	23	72	40	13.5	M12	13
D130	138	192	173	10	27	82	48	13.5	M12	14
D140	146	215	195	10	32	91	52	17.5	M16	15
D160	166	240	225	10	38	103	60	17.5	M16	16
D190	196	260	245	10	42	112	70	17.5	M16	17

Input without lantern and without coupling

Size	Ø d _{1 k6}	l ₁	r ₁ ⊗	Ø w _{1 g6}	g ₁	Ø v ₁	s ₁	f ₁	e ₁
D37	10	14	M3	46	3.5	46	M5	91.5	73
D55	14	15	M5	46	4	67	M6	101	81
D75	18	25	M6	73	11	90	M6	123	86
D90	22	30	M8	85	12	103	M8	139	96
D115	28	35	M10	95	12	115	M8	160	112
D130	32	36	M12	109	14	130	M10	177	126
D140	32	38	M12	119	16	145	M10	197	142
D160	36	42	M12	126	16	153	M10	217	158
D190	40	45	M16	137	16	165	M12	236	174


Input with lantern and coupling

Size	Ø d ₁₁ x l ₁₁			□ u ₁₁ x f ₁₁ ⊕		
D37	9x23	11x26		55x127.5	70x127.5	
D55	9x23	11x26	14x30	55x130	75x140	
D75	11x26	14x30	19x40	75x168	90x168	90x180
D90	14x30	19x40	24x50	90x191	115x191	115x201
D115	19x40	24x50	32x60	115x220	140x220	140x235
D130	24x50	32x60	38x80	140x245	190x245	190x260
D140	24x50	32x60	38x80	140x260	190x260	190x280
D160	32x60	38x80	48x80	140x298	190x308	260x308
D190	32x60	38x80	48x80	190x335	260x345	


 Pitch circle diameter, centering diameter, thread and centering depth according to the relevant motor data sheet

Input with planetary pre-stage for motor shaft and input flange

Size	Ø d ₁₂ x l ₁₂ x f ₁₂
D55HR	9x25x158.1 / 11x25x158.1 / 14x30x168.1
D75HR	14x30x198.1 / 16x30x198.1 / 19x40x198.6 / 24x50x206.6
D90HR	14x30x214.1 / 16x30x214.1 / 19x40x214.1 / 24x50x222.6
D115HR	19x40x246.5 / 24x50x255.5 / 32x60x255.5
D130HR	19x40x263.5 / 24x50x272.5 / 32x60x272.5
D140HR	24x50x297.8 / 32x60x302.8 / 38x80x322.8
D160HR	24x50x317.8 / 32x60x322.8 / 38x80x342.8
D190HR	24x50x336.8 / 32x60x341.8 / 38x80x361.8


 Square □ u, the pitch circle diameter Ø v with threads s and the centering diameter Ø w with length m are motor dependent.

Please contact us!

Output with solid shaft

Size	Ø d _{2 k6}	l ₂	f ₂	n	r ₂ ⊗
D37	16	25	65	1	M5
D55	20	35	80	1.5	M6
D75	24	40	90	1.5	M8
D90	32	50	110	2	M12
D115	40	60	130	2	M16
D130	48	75	156	2	M16
D140	55	90	175	2	M20
D160	60	100	195	2	M20
D190	70	110	220	2	M20

Output with hollow shaft[Ⓢ]

Size	Ø d _w ^{H7}	Ø d _{s f7}	h ₀	h ₁	f _s	m ²
D37	16	20	20	25	66	40
D55	20	24	20	25	71.5	45
D75	25	30	22	27	79.5	50
D90	30	36	26	31	93	60
D115	40	50	29	34	107	70
D130	48	55	32	37	121	81
D140	55	68	32	38	127	85
D160	60	75	34	41	139	95
D190	70	80	34	41	159	110

Ⓛ Standard square for relevant motor type

Ⓜ According to D DIN 332

Ⓢ Extended shaft for the shrink disk (e.g. Stüwe – Type HSD 22)

Delivery with shrink disk on request