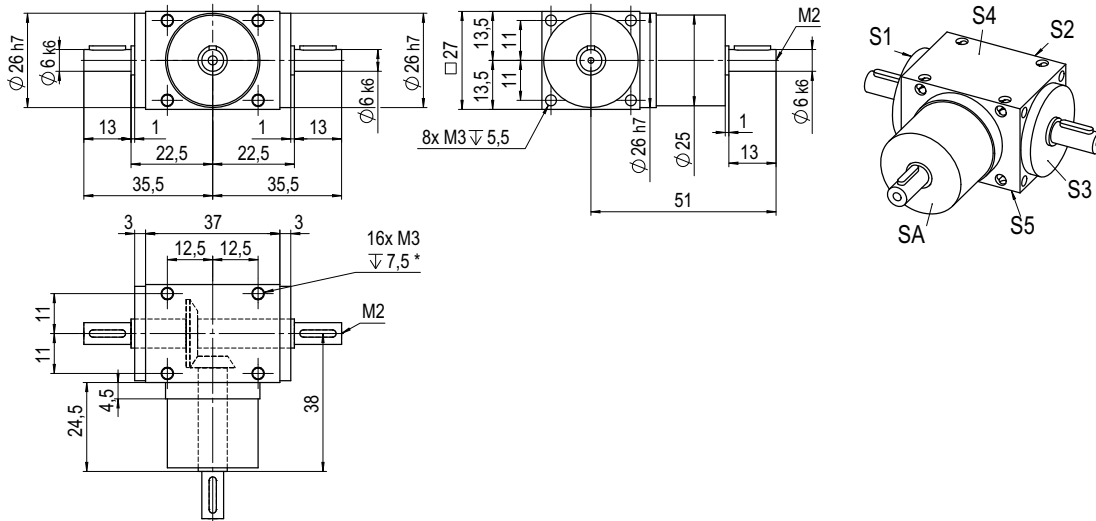
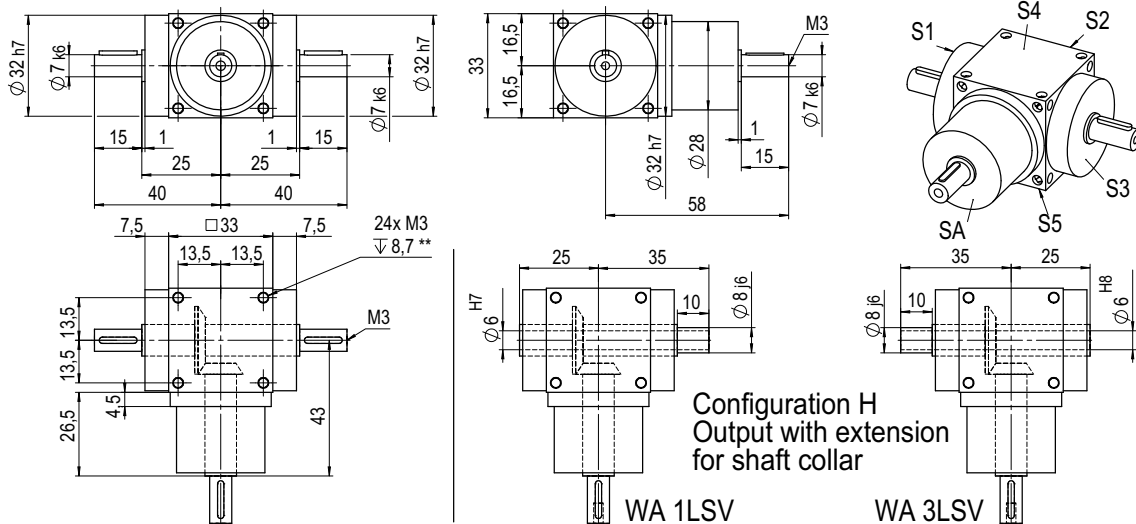


Dimensions Configuration L/H

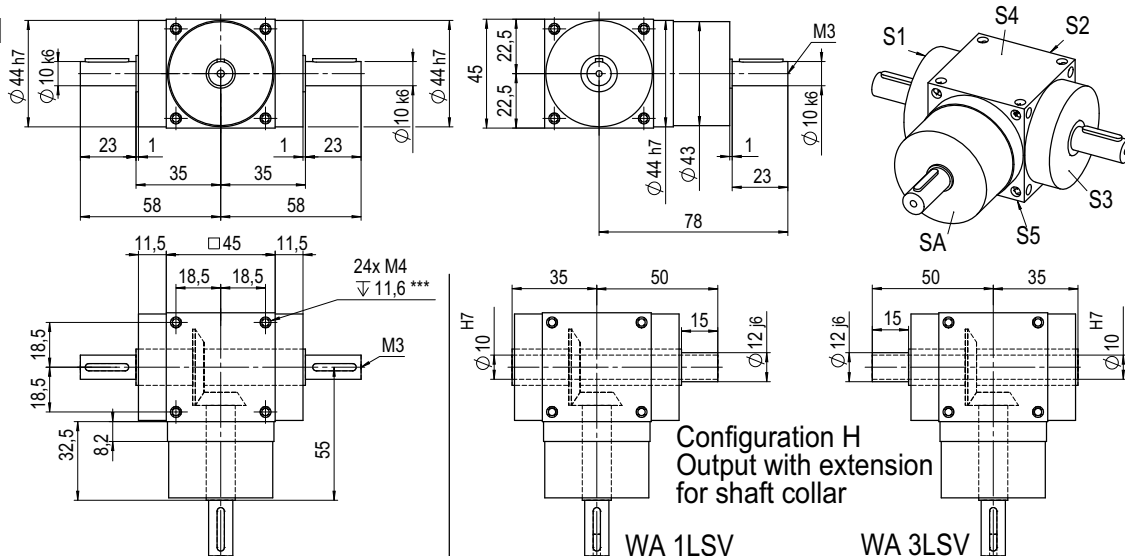
P27L



P33L/H



P45L/H



*) thread starts from 4 mm depth, **) thread starts from 4.5 mm depth, ***) thread starts from 6 mm depth, feather key to DIN 6885/1